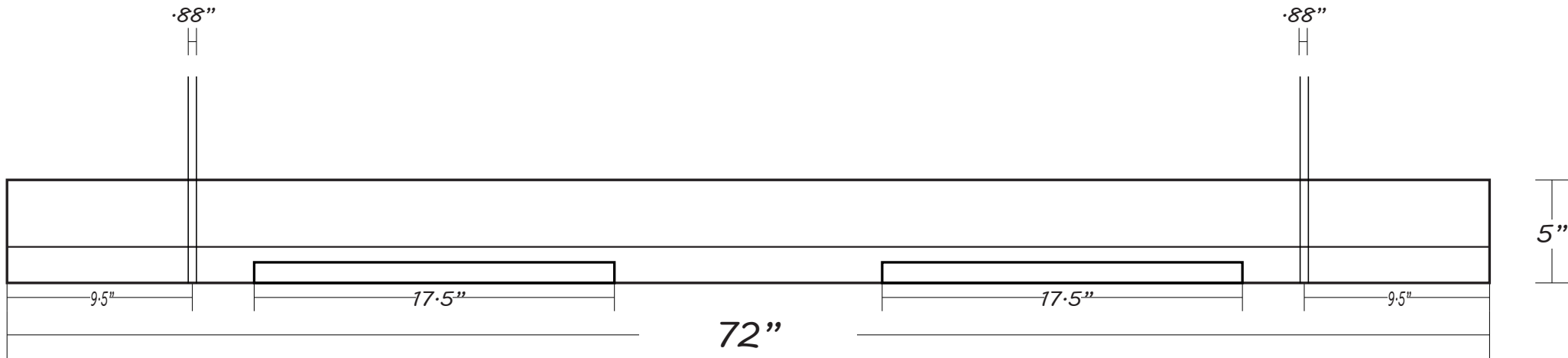
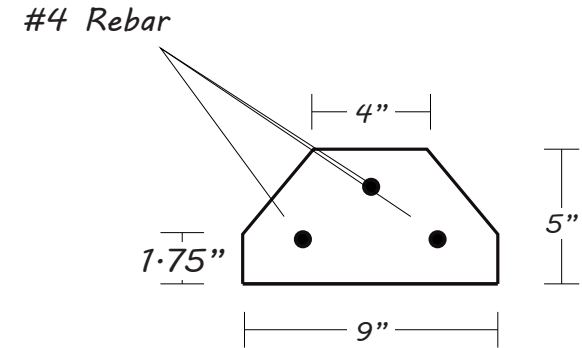


6' Parking Bumper - Slotted

Material: Concrete
#4 Grade 60 Rebar

Material Notes: Concrete minimum 6000 PSI @ 28 Days

Notes: Unit weighs 210 Pounds



REDI-ROCK[®]

Redi-Rock of Maryland
PO Box 370
Laurel, MD 20725
301.776.7840

The information herein is the property of Redi-Rock of Maryland, LLC. Without written permission, any copying, transmittal to others, and any use except that for which it is loaned is prohibited.